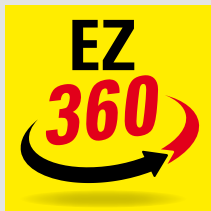


AVAILABLE FROM SUMMER 2023



The new one-handed clamp with 360° rotating handle



Simply better.

Whether it's assembly or carpentry work, drywall, kitchen or shop fitting: when it comes to one-handed clamping and spreading work, professionals and do-it-yourselfers alike can benefit from the **EZ360** all round.

BESSEY has succeeded in making the entire handle unit rotate around the rail. A 12-step latching mechanism ensures that the selected handle position is held securely.

Depending on the work situation, the most ergonomic pump position can be selected to fix the workpiece comfortably and securely – whether far up, down or from the opposite side.



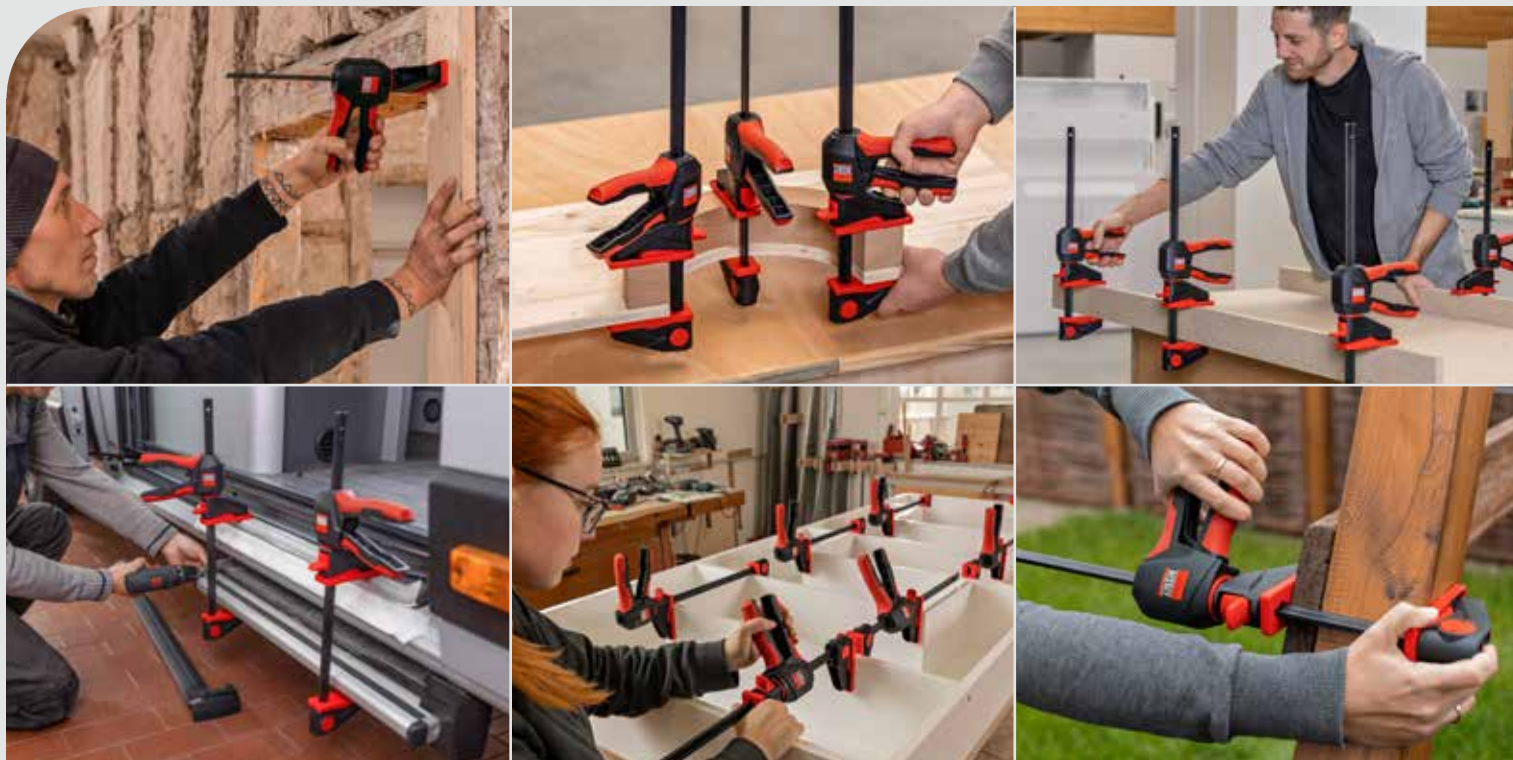
Discover more ►



All-round flexible one-handed clamping and spreading



Simply better.

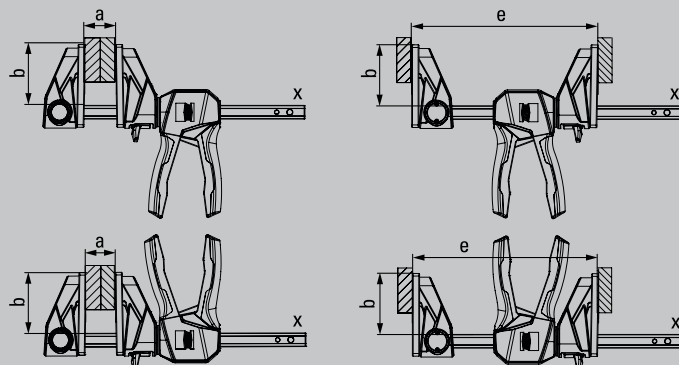


One-handed clamp with rotating handle EZ360



Order-No.	Opening	Throat depth	Spreading width "e"	Rail	⚖️	📦	V3
	mm	mm	mm	mm	kg	qty.	
EZ360-15	150	80	195-315	18 x 5	0.78	6	
EZ360-30	300	80	195-465	18 x 5	0.87	6	
EZ360-45	450	80	195-615	18 x 5	0.96	6	
EZ360-60	600	80	195-765	18 x 5	1.06	6	

Available from summer 2023



- Innovative 360° rotating mechanism allows the handle unit to be placed around the rail
- 12-step latching mechanism to securely hold the selected handle position
- Large clamping surfaces with removable protective caps
- Clamping force up to 1,400 N
- Can be repositioned for spreading – without tools thanks to simple release mechanism by push-button on the top part
- One-handed operation with little effort required

First of its kind in the world

For further information
www.bessey.de



BESSEY Tool GmbH & Co. KG ■ Mühlwiesenstraße 40
 74321 Bietigheim-Bissingen, Germany
 Fon +49 7142 401-0 ■ Fax +49 7142 401-452
 E-Mail: tool-info@bessey.de ■ www.bessey.de

Your dealer: