

Pliers Wrenches

Pliers and a wrench in a single tool

- ▶ Replaces the need for sets of metric and imperial spanners
- ▶ Smooth jaws for damage free installation of plated fittings – working directly on chrome!
- > Adjustable tightening tool
- > Also excellent for gripping, holding, pressing and bending workpieces
- > Push the button for adjustment on the workpiece
- > Zero backlash jaw pressure prevents damage to edges of sensitive components
- > Parallel jaws give a more solid grip; its design allows flexible adjustment of all widths up to the specified maximum size
- > Reliable catching of the hinge bolt: no unintentional shifting
- > The ratchet type principle allows quick and easy tightening and release of all bolted connections
- > Lever transmission greater than 10 : 1 for strong gripping power
- > Fast adjustment by pushing a button directly on the workpiece
- > No unintentional shift of the gripping jaws and no slipping of the joint
- > Replaces the need for sets of metric and imperial spanners
- > Chrome vanadium electric steel, forged, oil-hardened

Length 150 mm

- > Ideal multi-purpose wrench in pocket size; indispensable companion in emergency tool kit

Length 180 mm

- > With narrow gripping jaws – for tightening situations that require a slim tool

86 01 180 / 86 01 250 / / 86 01 300 / 86 02 180 / 86 02 250 / 86 03 250 / 86 05 250 / 86 06 250

- > With scaling for presetting the width apart from the workpiece

86 43 250

- > 15° angled pliers handle provides space for counter screw connections or bolted fittings on surfaces

86 05 180 T / 86 05 250 T*

- > Pliers with tether attachment point for mounting a fall protection



86 01 250



86 02 250



86 03 125



86 01 180



86 02 180



86 01 300



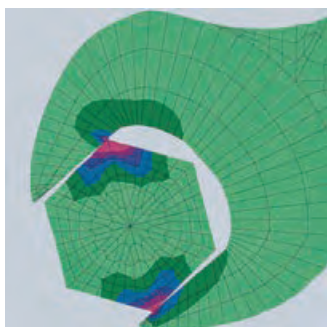
86 03 150



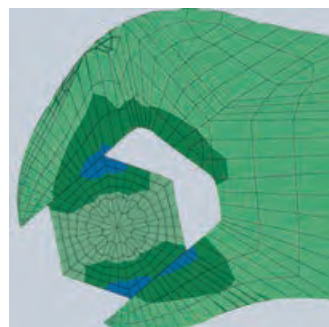
86 03 180



86 03 180

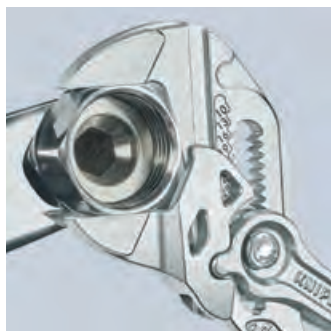


Conventional open end wrench: edge pressure causes surface damage



Pliers wrench: zero backlash contact pressure, no damage to edges

The smooth jaws grip all parallel surfaces in the capacity range with a high degree of pressure if necessary and open up almost unlimited application possibilities for the pliers wrench: e.g. for tightening locknuts, exerting pressure to activate the adhesive power of contact adhesives, edge breaking in tile work, snapping cable ties, utilisation as a small vice.



Working on plated fittings without damage of the surface



Replaces the need for sets of metric and imperial spanners



Ideal for bending operations



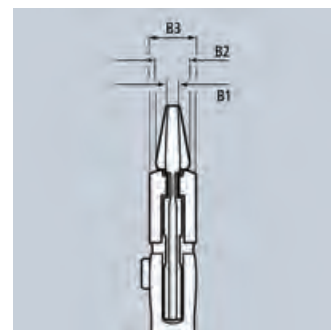
The mini pliers wrench for precision mechanics



Opening width lasered onto the pliers head (metric on the front and imperial on the back)



Fast adjustment at the touch of a button



| Article No. | EAN | ↔ mm | | Pliers | Handles | ⬡ Inch | ⬡ mm | Adjustment positions | Dimensions | | | ⚖ g |
|-------------|--------|---------|------------------------------|--------------------|---|-----------|---------|----------------------|------------|-------|-------|--------|
| | | | | | | | | | B1 mm | B2 mm | B3 mm | |
| 86 01 180 | 084273 | 180 | ▱ | black atramentized | plastic coated | 1 1/2 | 40 | 15 | 5.0 | 8.0 | 12.0 | 230 |
| 86 01 250 | 082385 | 250 | ▱ | black atramentized | with non-slip plastic coating | 2 | 52 | 19 | 8.0 | 8.0 | 14.0 | 465 |
| 86 01 300 | 084662 | 300 | ▱ | black atramentized | with non-slip plastic coating | 2 3/4 | 60 | 24 | 9.5 | 9.5 | 15.0 | 645 |
| 86 02 180 | 084280 | 180 | ▱ | black atramentized | with multi-component grips | 1 3/8 | 35 | 15 | 5.0 | 8.0 | 12.0 | 255 |
| 86 02 250 | 082392 | 250 | ▱ | black atramentized | with multi-component grips | 2 | 52 | 19 | 8.0 | 8.0 | 14.0 | 485 |
| 86 03 125 | 077497 | 125 | ▱ | chrome plated | plastic coated | 7/8 | 23 | 11 | 3.0 | 5.0 | 9.5 | 105 |
| 86 03 150 | 069676 | 150 | ▱ | chrome plated | plastic coated | 1 | 27 | 14 | 4.7 | 7.0 | 10.5 | 175 |
| 86 03 180 | 035466 | 180 | ▱ | chrome plated | plastic coated | 1 1/2 | 40 | 15 | 5.0 | 8.0 | 12.0 | 230 |
| 86 03 250 | 033837 | 250 | ▱ | chrome plated | plastic coated | 2 | 52 | 19 | 8.0 | 8.0 | 14.0 | 465 |
| 86 03 300 | 041429 | 300 | ▱ | chrome plated | plastic coated | 2 3/8 | 60 | 24 | 9.5 | 9.5 | 15.0 | 725 |
| 86 05 150 | 069928 | 150 | ▱ | chrome plated | with multi-component grips | 1 | 27 | 14 | 4.7 | 7.0 | 10.5 | 193 |
| 86 05 180 | 047162 | 180 | ▱ | chrome plated | with multi-component grips | 1 1/2 | 40 | 15 | 5.0 | 8.0 | 12.0 | 260 |
| 86 05 180 T | 080121 | 180 | ▱ | chrome plated | with multi-component grips, with integrated tether attachment point for a tool tether | 1 1/2 | 40 | 13 | 5.0 | 8.0 | 12.0 | 280 |
| 86 05 250 | 047841 | 250 | ▱ | chrome plated | with multi-component grips | 2 | 52 | 19 | 8.0 | 8.0 | 14.0 | 490 |
| 86 05 250 T | 080138 | 250 | ▱ | chrome plated | with multi-component grips, with integrated tether attachment point for a tool tether | 2 | 52 | 19 | 8.0 | 8.0 | 14.0 | 500 |
| 86 06 250 | 082408 | 250 | ▱ ⚡ 1000V | chrome plated | insulated with multi-component grips, VDE-tested | 2 | 52 | 19 | 8.0 | 8.0 | 14.0 | 525 |
| 86 43 250 | 081296 | 250 | ▱ $\leq 15^\circ$ | chrome plated | plastic coated | 1 3/4 | 46 | 17 | 8.0 | 8.0 | 14.0 | 535 |