

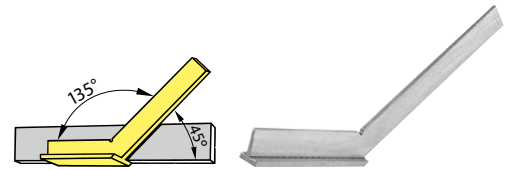


### HOLEX® Mitre squares with stop

Made of steel. With precision ground reference edges; other faces are precision machined. Angular tolerances based on DIN 875/2.

**Application:** For accurate marking and checking of 45° for 90° corner butts.

Stock length	mm	120×80	150×100	200×130
42F 45 5400	Mitre square with stop			
Shank cross-section	mm	20×5	20×5	30×7

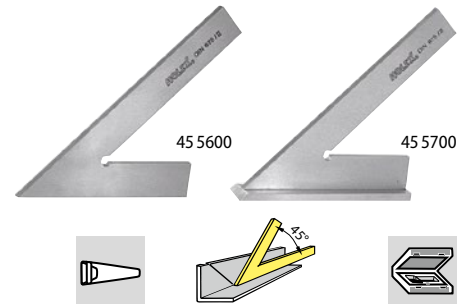


### HOLEX® 45° squares

Made of steel. With precision ground reference edges; other faces are precision machined. Angular tolerances based on DIN 875/2.

**Application:** For accurate marking and checking of 45°.

Stock length	mm	120×80	150×100
42F 45 5600	Angle stock square		
42F 45 5700	Angle try square		
Shank cross-section	mm	20×5	

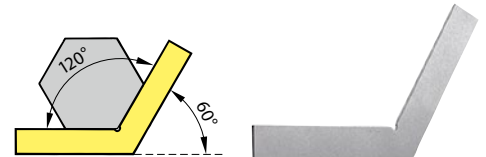


### HOLEX® Hexagonal flat square

Precision steel version. With ground reference edges; other faces are accurately aligned. Angular tolerances based on DIN 875/1.

**Application:** For accurate marking and checking of 60° and 120°.

Stock length	mm	50×50	100×100
42F 45 5800	Hexagonal flat square		
Shank cross-section	mm	15×4	20×5

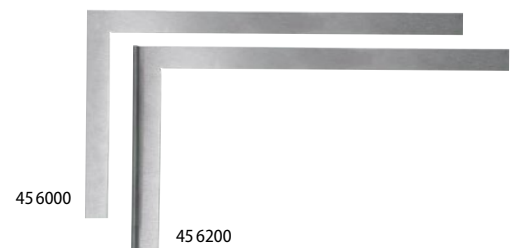


### HOLEX® Steel squares galvanised

Made of steel. Surface galvanised. Reference edges and other faces finish machined.

**Application:** For simple alignment and marking work in fitting shops, tinsmithing shops etc.

Stock length	mm	100×70	150×100	200×130	250×160	300×175	400×230	500×280	750×375	1000×500
42F 45 6000	Flat steel square galvanised									
42F 45 6200	Flat try square galvanised									
Shank cross-section	mm	20×5	20×5	20×5	25×5	25×5	30×5	30×5	30×5	30×5



### HOLEX® Flange square

Steel, galvanised. Reference edges and other faces precision machined.

**Application:** Special fitter's square for accurate alignment of flanges.

Stock length	mm	300	400
42F 45 6600	Flange square		
Shank cross-section	mm	30×5	
Flange width	mm	105×65	115×65

